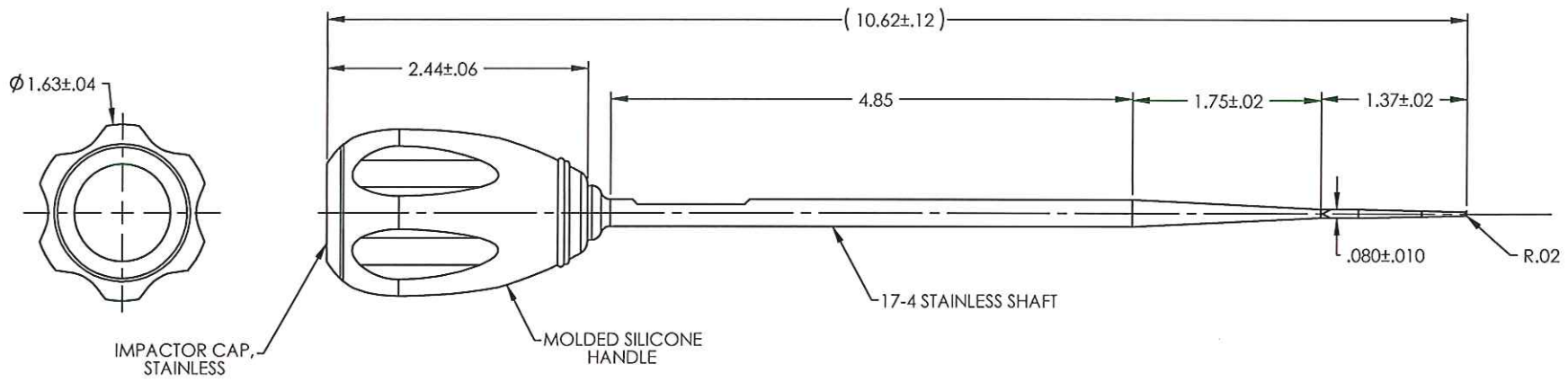
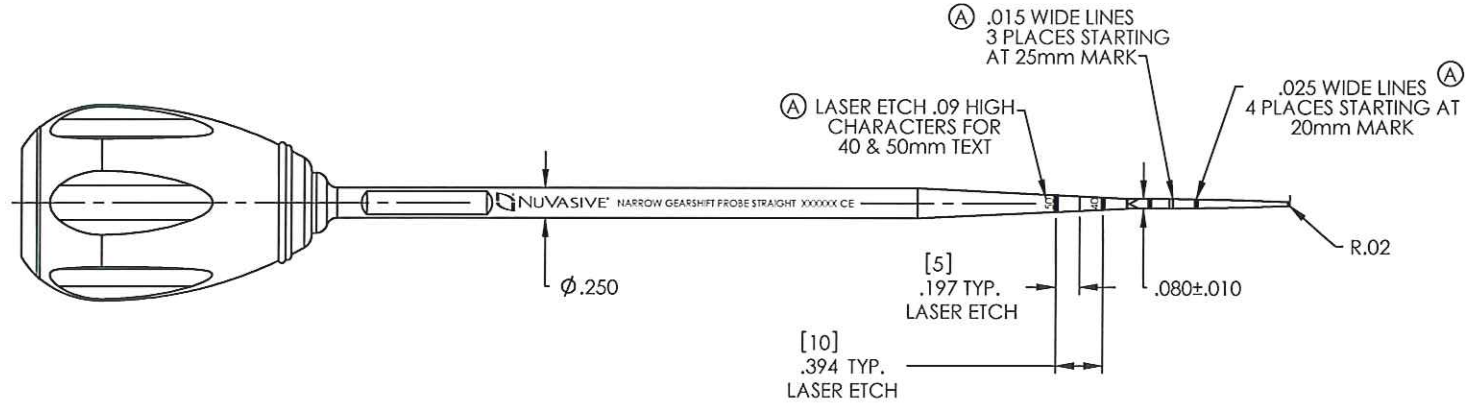


ILLUSTRATION DRAWING -- REFERENCE ONLY

REVISIONS			
REV.	DESCRIPTION	DATE	APPROVED
A	ECN 7253	12/14/07	RJB



CUSTOMER APPROVAL
 APPROVED BY: _____
 DATE: _____

INSPECTION SYMBOLS
 CRITICAL
 AQL

UNLESS OTHERWISE SPECIFIED
 DIMENSIONS ARE IN INCHES
 TOLERANCES ARE:
 FRACTIONS DECIMALS ANGLES
 #1/32 .0005 .01°
 .XX ±.010
 .XXX ±.005
 .XXXX ±.0005



GAUTHIER BIOMEDICAL, INC.
 1235 North Dakota Drive, Suite G
 Grafton, WI 53024
 (262) 546-0010 ph. (262) 546-0011 fax
 E-mail: engineering@gauthierbiomedical.com

MATERIAL	APPROVALS	DATE	DESCRIPTION
SEE DETAILS	DRAWN MCS	7/18/07	PROBE, STRAIGHT PEDICLE MODIFIED LENKE STYLE, CUSTOM LENGTH
HEAT TREAT	CHECKED JAW	11/18/10	
FINISH	APPROVED JAW	11/18/10	
PASSIVATE	DC NOT SCALE DRAWING		
ANODIZE			

THE INFORMATION CONTAINED IN THIS DRAWING IS THE SOLE PROPERTY OF GAUTHIER BIOMEDICAL, INC. ANY REPRODUCTION IN PART OR WHOLE WITHOUT THE WRITTEN PERMISSION OF GAUTHIER BIOMEDICAL, INC IS PROHIBITED.

T.S.C. REPRESENTS THEORETICAL SHARP CORNER

SCALE: 1:1 CAD FILE: G104112 (cc) SHEET 1 OF 1