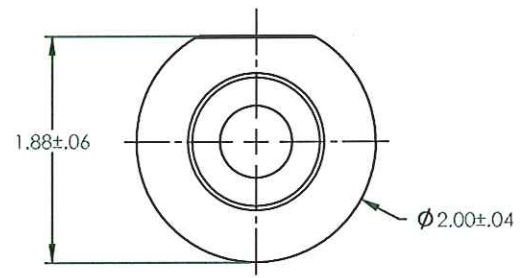
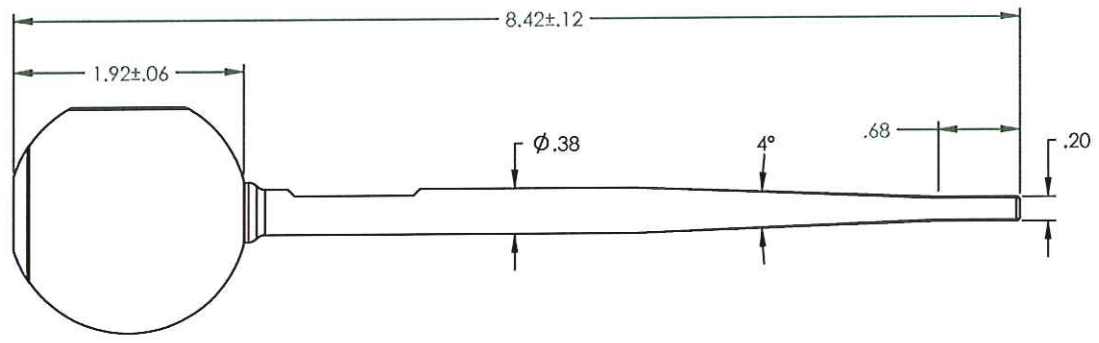
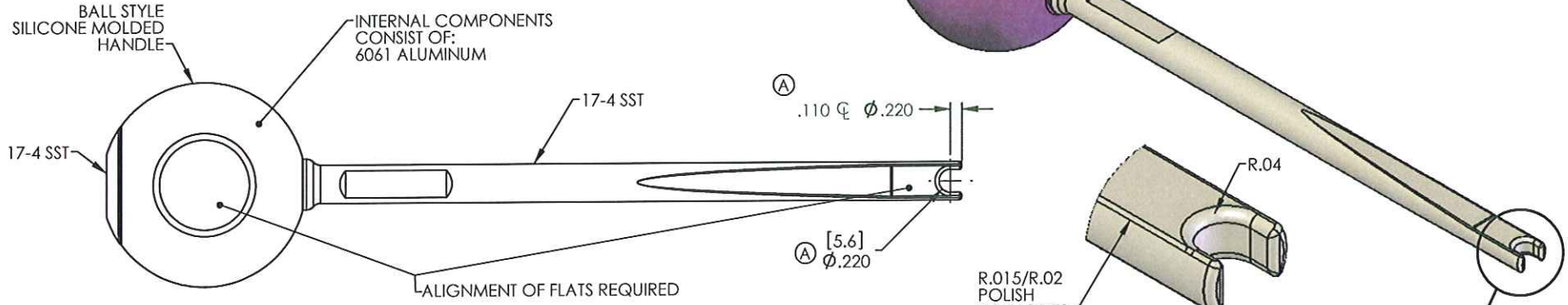


REVISIONS			
REV.	DESCRIPTION	DATE	APPROVED
A	.110 CL Ø.220 WAS .07 CL Ø.23,	4/20/09	RJB
B	ECN 11039	2/23/11	JAW

ILLUSTRATION DRAWING -- REFERENCE ONLY



DETAIL B
SCALE 3 : 1

CUSTOMER APPROVAL
 APPROVED BY: _____
 DATE: _____

INSPECTION SYMBOLS
 ○ CRITICAL
 ○ AQL

UNLESS OTHERWISE SPECIFIED
 DIMENSIONS ARE IN INCHES
 TOLERANCES ARE:
 FRACTIONS DECIMALS ANGLES
 +1/32 .0010 .010
 .XX ±.010
 .XXX ±.005
 .XXXX ±.0005



GAUTHIER BIOMEDICAL, INC.
 1235 North Dakota Drive, Suite G
 Grafton, WI 53024
 (262) 546-0010 ph. (262) 546-0011 fax
 E-mail: engineering@gauthierbiomedical.com

APPROVALS		DATE	DESCRIPTION
DRAWN	RJB	9/30/08	ROD PUSHER, 5.5mm
CHECKED	RJB	3/4/11	LARGE BALL-STYLE HANDLE
APPROVED	RJB	3/4/11	
DO NOT SCALE DRAWING			SIZE PART NUMBER
ANNOUCE			B G185300 (cc)
SCALE 1:1			CAD FILE G185300 (cc)
SHEET 1 OF 1			REV. B

THE INFORMATION CONTAINED IN THIS DRAWING IS THE SOLE PROPERTY OF GAUTHIER BIOMEDICAL, INC. ANY REPRODUCTION IN PART OR WHOLE WITHOUT THE WRITTEN PERMISSION OF GAUTHIER BIOMEDICAL, INC IS PROHIBITED.