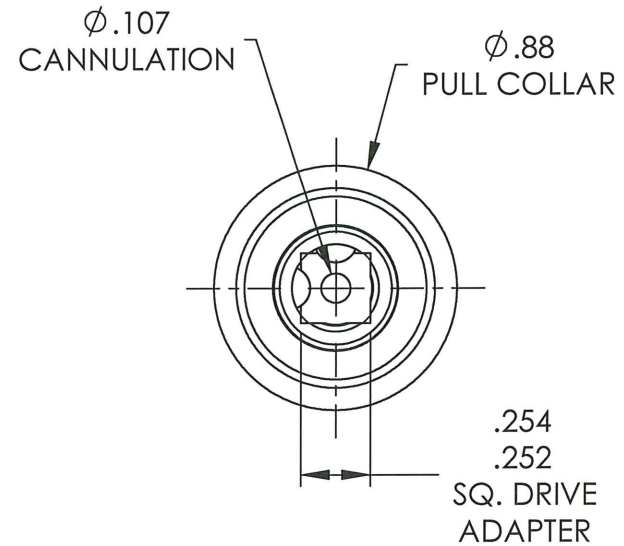
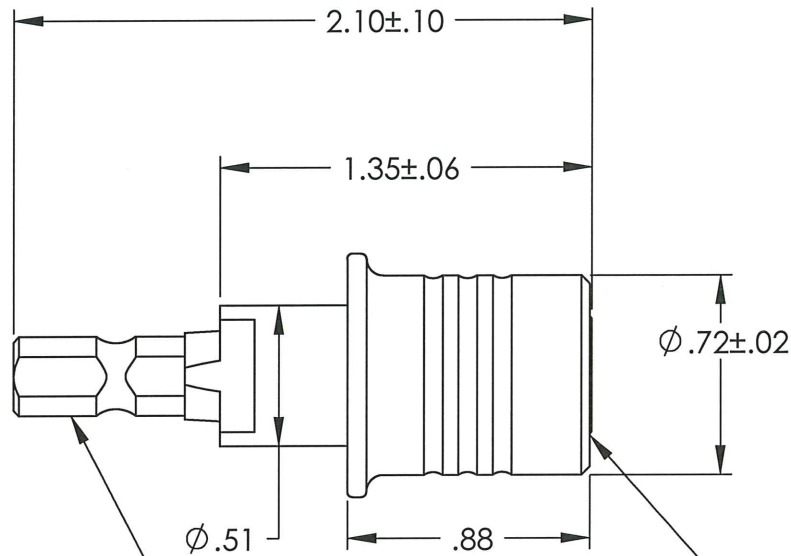


ILLUSTRATION DRAWING REFERENCE ONLY

REVISIONS			
REV.	DESCRIPTION	DATE	APPROVED
A	SEE ECN 9159	8/7/09	MCS
B	REPLACE SHAFT WITH 1 PIECE DESIGN; ECN 9191	9/23/09	MCS



17-4 STAINLESS SHAFT

17-4 STAINLESS COLLAR

.254
.252
SQ. DRIVE
ADAPTER

CUSTOMER APPROVAL

APPROVED BY: _____

DATE: _____

THE INFORMATION CONTAINED IN THIS DRAWING IS THE SOLE PROPERTY OF GAUTHIER BIOMEDICAL, INC., ANY REPRODUCTION IN PART OR WHOLE WITHOUT THE WRITTEN PERMISSION OF GAUTHIER BIOMEDICAL, INC. IS PROHIBITED.

INSPECTION SYMBOLS

-  CRITICAL
-  AQL

UNLESS OTHERWISE SPECIFIED DIMENSIONS ARE IN INCHES
TOLERANCES ARE:
FRACTIONS DECIMALS ANGLES
±1/32 .X ±.020 ±1°
.XX ±.010
.XXX ±.005
.XXXX ±.0005



Gauthier Biomedical, Inc.

GAUTHIER BIOMEDICAL, INC.
1235 NORTH DAKOTA DRIVE, SUITE G
GRAFTON, WI 53024
(262) 546-0010 ph. (262) 546-0011 fax
E-mail: engineering@gauthierbiomedical.com

MATERIAL SEE DETAILS

HEAT TREAT

FINISH

PASSIVATE

APPROVALS DATE

DRAWN GDD 7/1/08

CHECKED *RSB* 9/28/09

APPROVED *RSB* 9/28/09

DO NOT SCALE DRAWING

ANODIZE

DESCRIPTION

1/4" SQ. QUICK CONNECT
W/MALE TRINKLE

SIZE
A

PART NUMBER
GA100506

REV.
B

SCALE 2:1 CAD FILE: GA100506

SHEET 1 OF 1